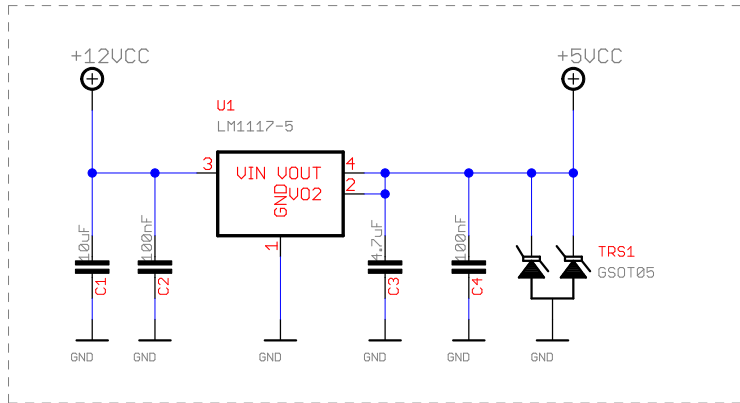
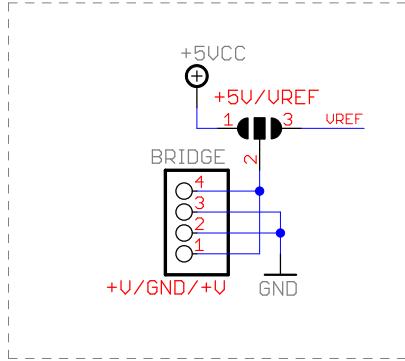


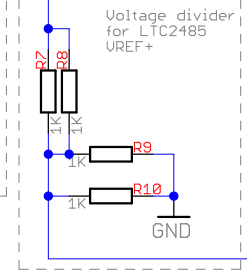
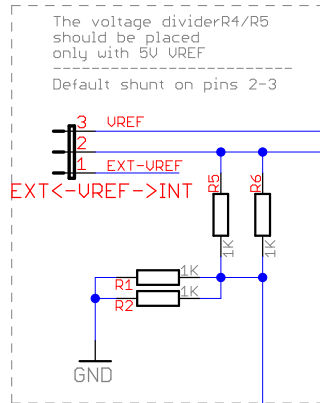
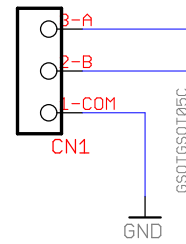
POWER SUPPLY



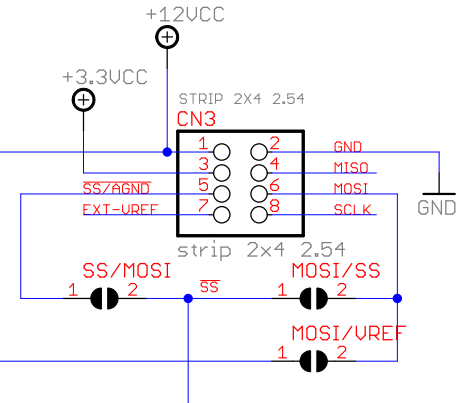
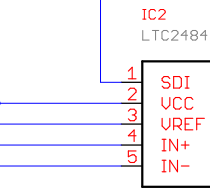
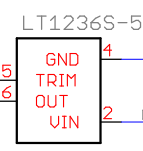
BRIDGE PWR SUPPLY



TO FRONT CONNECTOR



SPARE PART: ADR03 (PIN COMPATIBLE, 2.5V UREF)



NOTES

- 1) EXT-UREF = 2.5V UREF FROM ARCHIDUINO CPU
- 2) VOLTAGE DIVIDER NEEDED ONLY WITH UREF 5VCC
- 3) UREF SPARE PART: ADR03 2.5VCC SOIC8 (PIN COMPATIBLE)
- 4) SJ4 = CS ONLY FOR LTC2484 (M1 BASE BOARD)
- 5) SJ3 = SCL OF LTC2485 (M6 BASE BOARD)
- 6) SJ2 = UREF+ FOR LTC2485 (UREF- ON PIN 3)

TITLE:	SnipCard ADC 24 Bit Sigma-Delta V 0.6	
MODULE:		
ASSEMBLY VARIANT:		
AUTHOR:	BisoTronic	
PLOT:	24/02/2016 18:32	Sheet: 1 Total: 1
FILE:	24/02/2016 18:32	