

UPC_LCD1_V1

VERSION: 1.0

REVISION: A

Rev.	Date	Author	Notes / Modifications

NOTES:



SELETRONICA

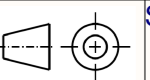
Open Source Hardware
Licensed under Creative Commons Share Alike 3.0
Archimede and Pitagora project name are Seletonica trademark
<http://creativecommons.org/licenses/by-sa/3.0/us/>

Project
UPC_LCD1_V1

Designed by:
Seletonica Team

Revised by:
Seletonica Team

Document number
0414 - UPC_LCD1_V1_COVER.SchDoc



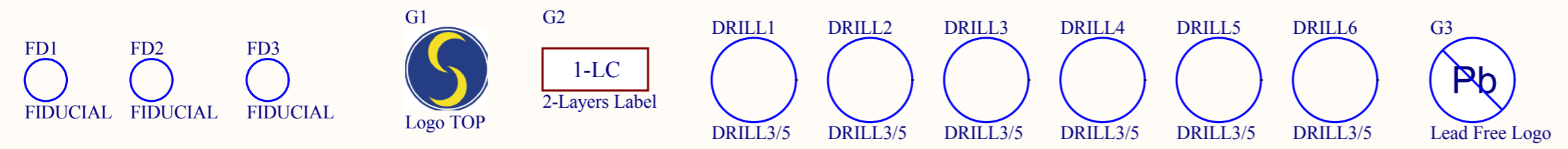
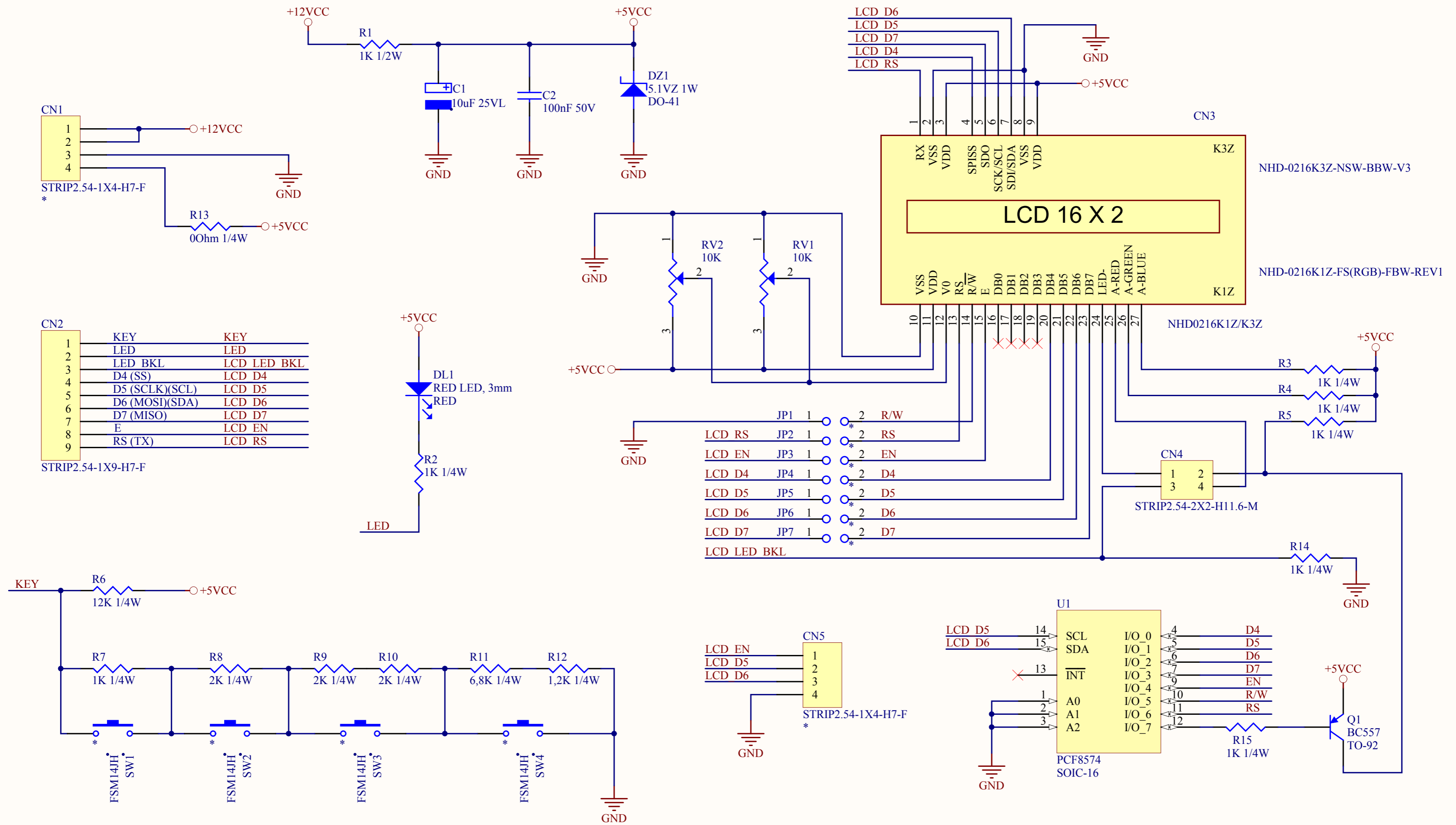
Size
A4

Date: 14/05/2014

Sheet 1 of 2

Ver.
1.0

Rev.
A



SELETRONICA

Project: UPC_LCD1_V1		Ver. 1.0
Designed by: Seletronica Team	Revised by: Seletronica Team	Rev. A
Document number: 0414 - UPC_LCD1_V1.SchDoc		Size: A4
Date: 14/05/2014	Sheet 2 of 2	