

SM_UPC_COM_V1

VERSION: 1.0

REVISION: B

Rev.	Date	Author	Notes / Modifications
B	29/10/2012	Diego Nova	Sostituiti componenti, creati i Variants del progetto

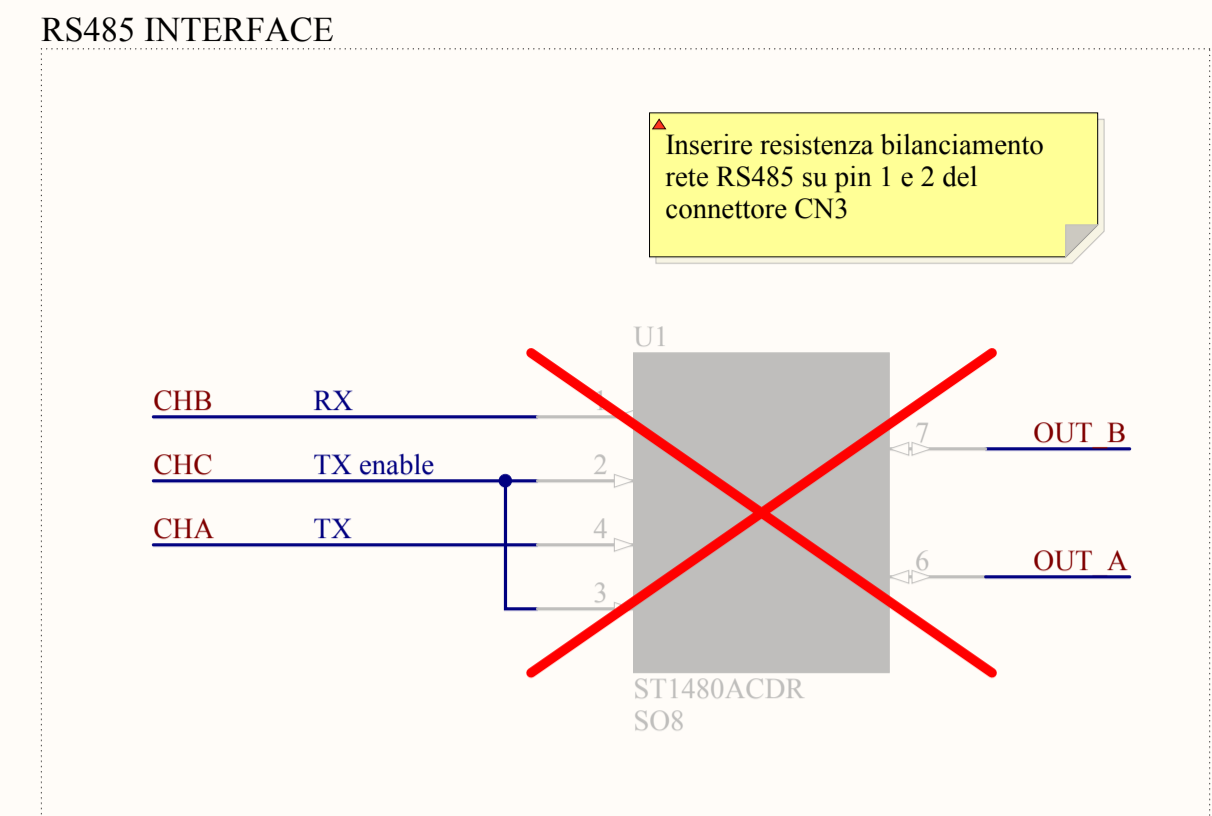
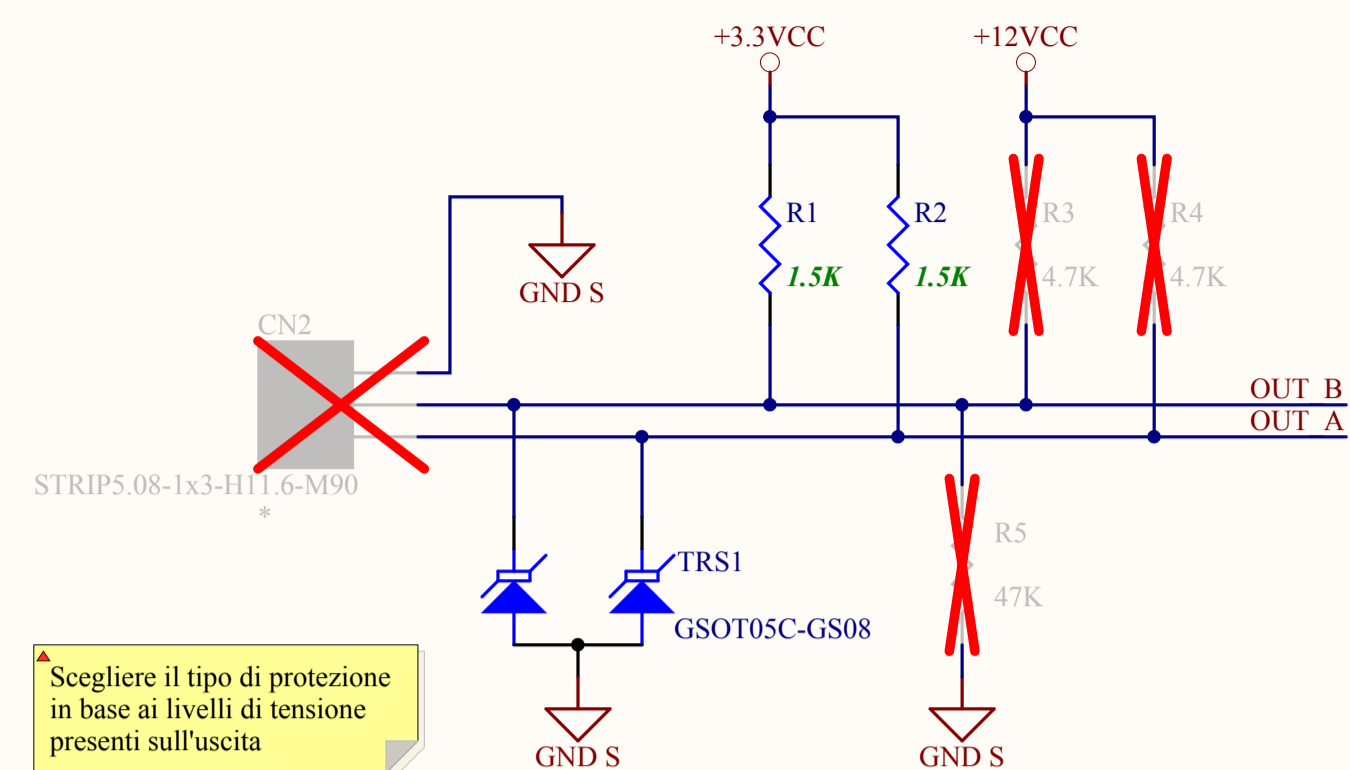
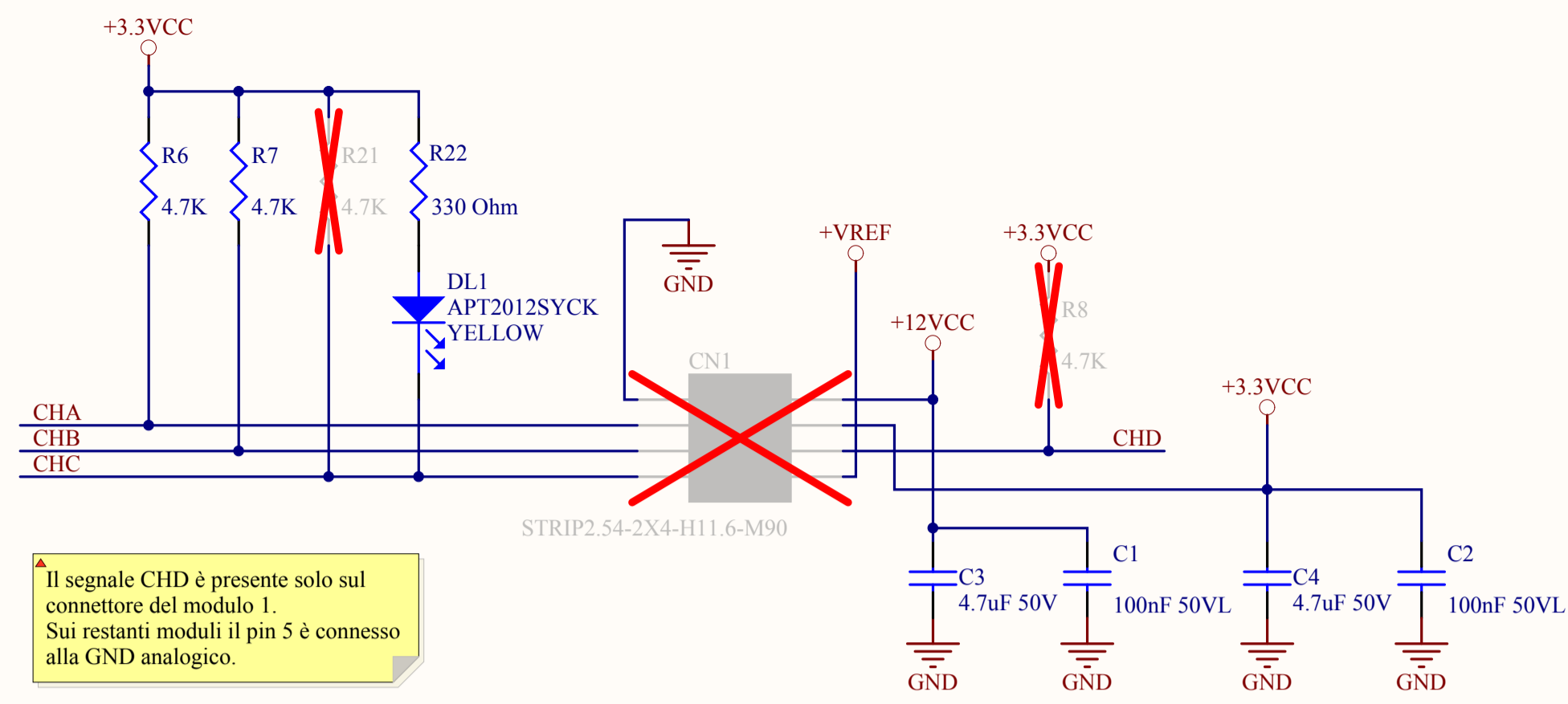
NOTES:



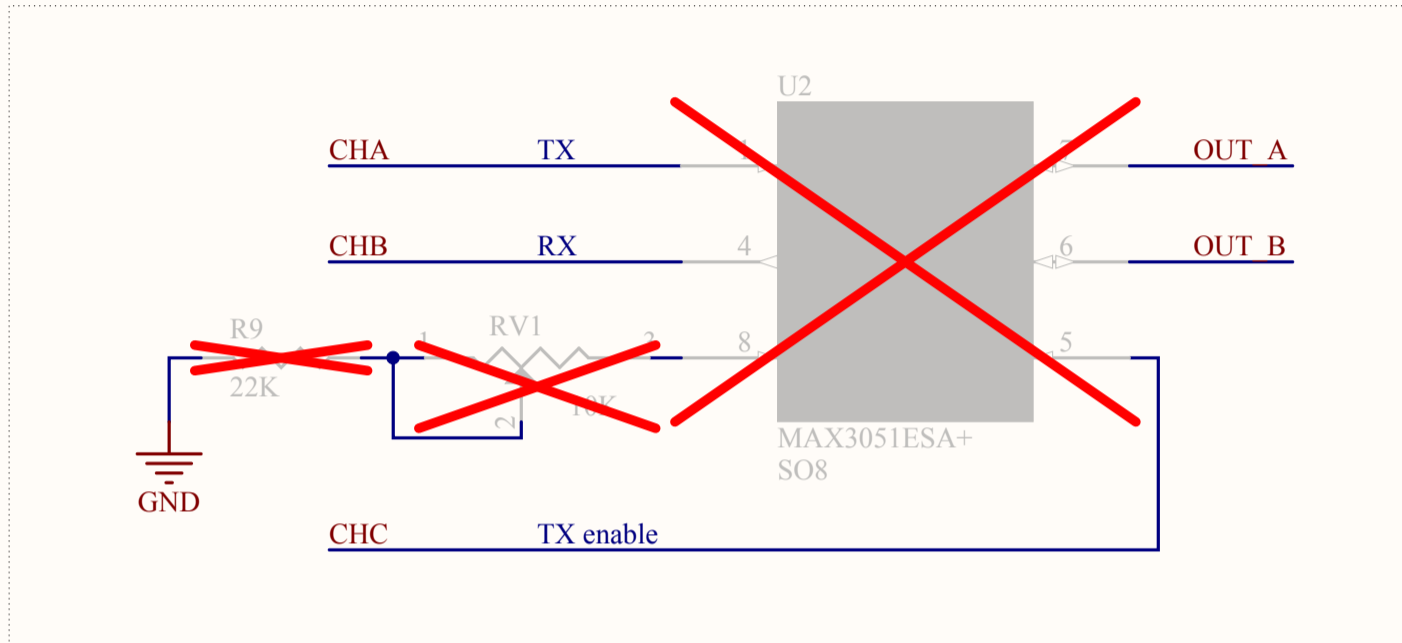
SELETRONICA

Open Source Hardware
Licensed under Creative Commons Share Alike 3.0
Archimede and Pitagora project name are Seletronica trademark
<http://creativecommons.org/licenses/by-sa/3.0/us/>

Project SM_UPC_COM_V1	Ver. 1.0	
Designed by: Seletronica Team	Revised by: Seletronica Team	Rev. B
Document number 1012 - SM_UPC_COM_COVER.SchDoc		Size A4
Date: 22/05/2013	Sheet 1	of 2



CAN BUS INTERFACE

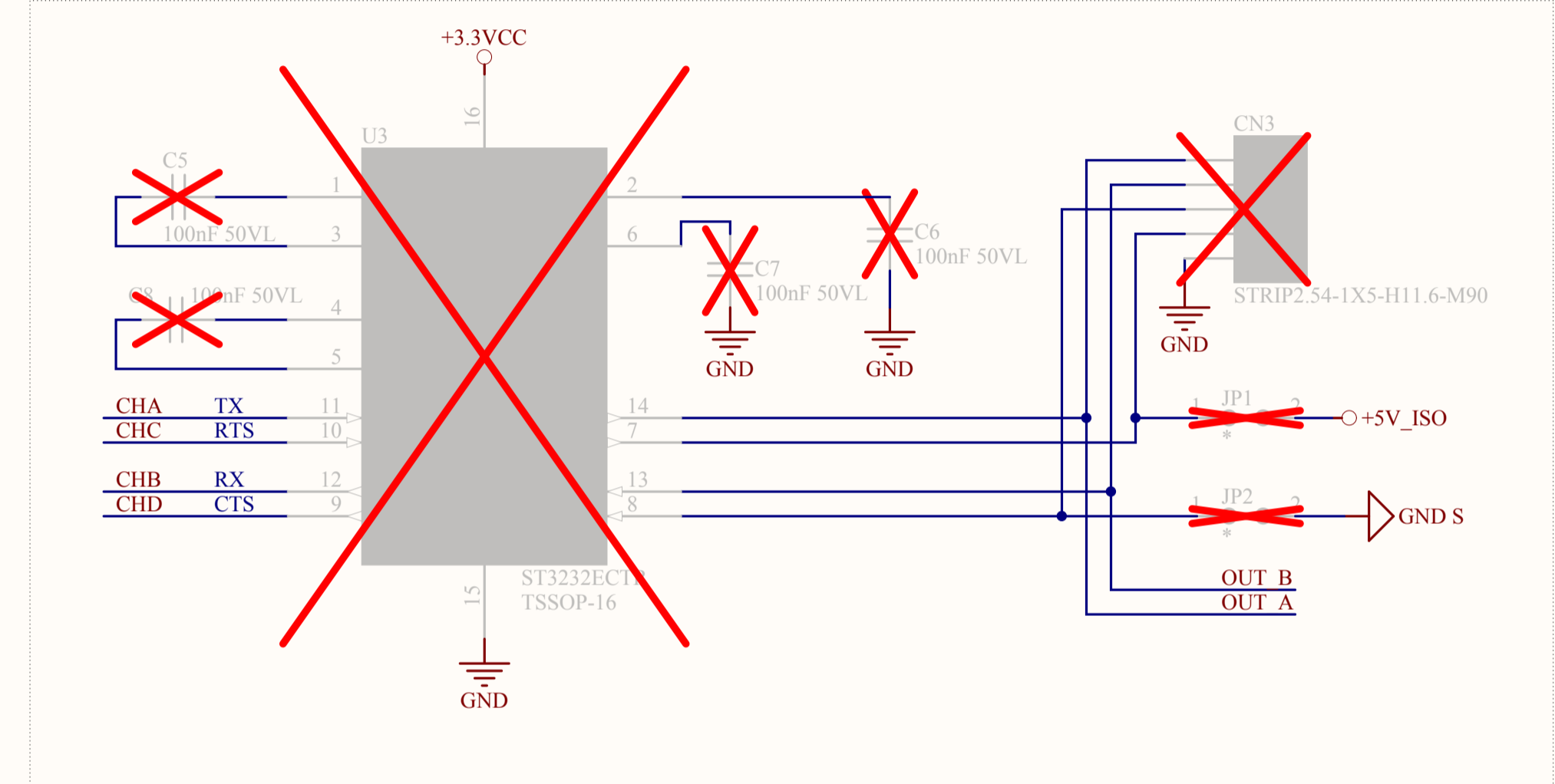


Configurazione dei jumpers

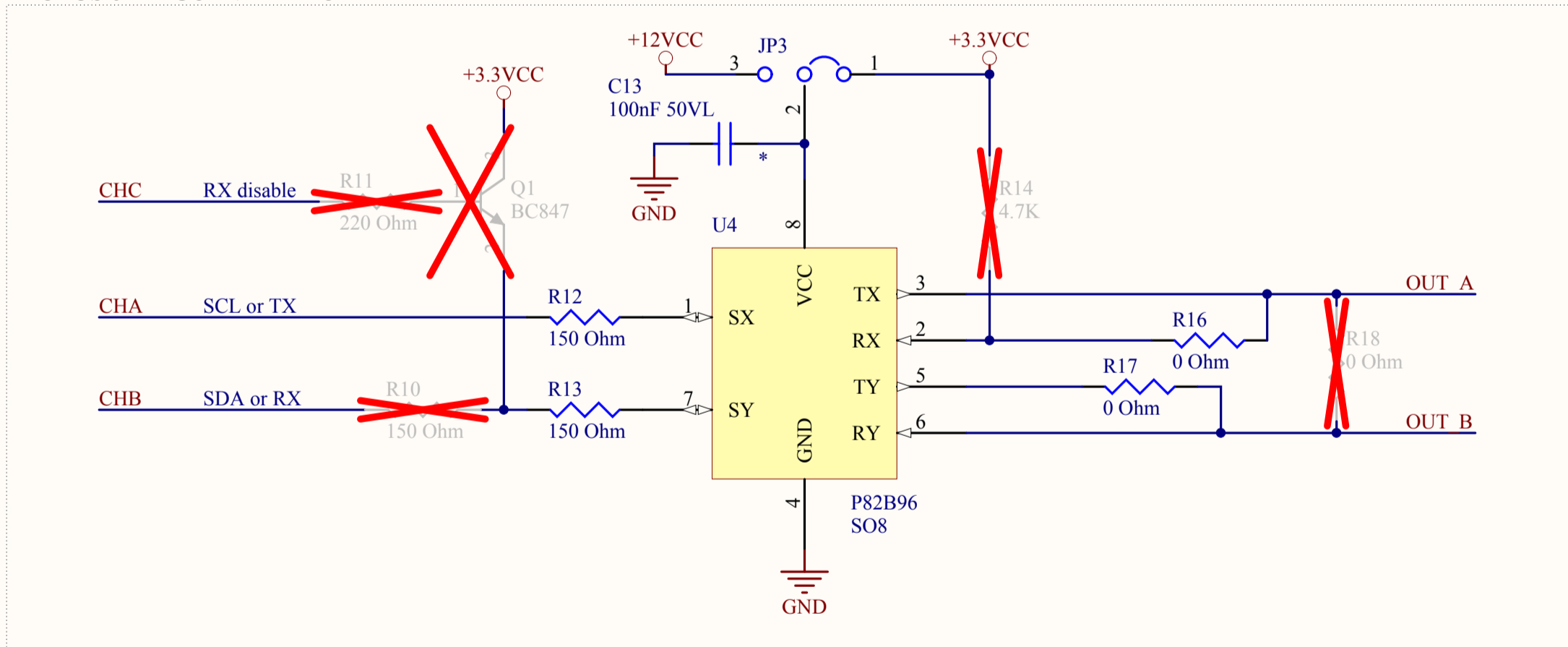
Variante scheda	JP1	JP2	JP3
UART half-duplex	NC	NC	ALT
RS232			
Dual 1-wire or I2C			
CAN			
Optoisolated 1-wire			
RS485			

C = connesso, NC = non connesso, DEF = default, ALT = alternativa

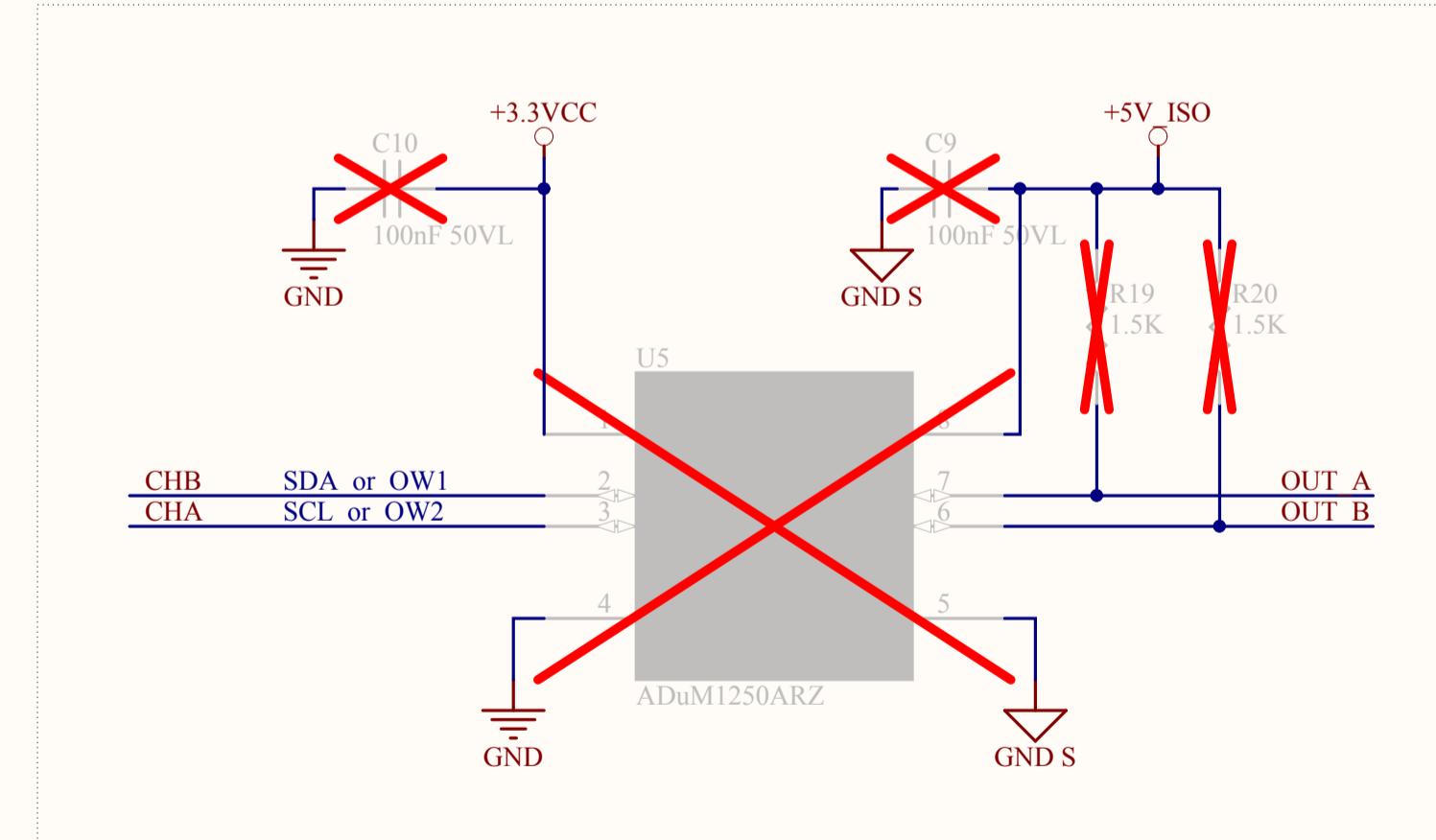
RS232 INTERFACE



I2CBUS or ARGO INTERFACE



I2CBUS OR ONE-WIRE OPTOISOLATED INTERFACE



OPTOISOLATED OPTION

