

# UPC\_LCD1\_V1

VERSION: 1.0

REVISION: A

Rev.	Date	Author	Notes / Modifications

NOTES:



SELETRONICA

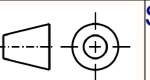
Open Source Hardware  
Licensed under Creative Commons Share Alike 3.0  
Archimede and Pitagora project name are Seletonica trademark  
<http://creativecommons.org/licenses/by-sa/3.0/us/>

Project  
UPC\_LCD1\_V1

Designed by:  
Seletonica Team

Revised by:  
Seletonica Team

Document number  
0414 - UPC\_LCD1\_V1\_COVER.SchDoc



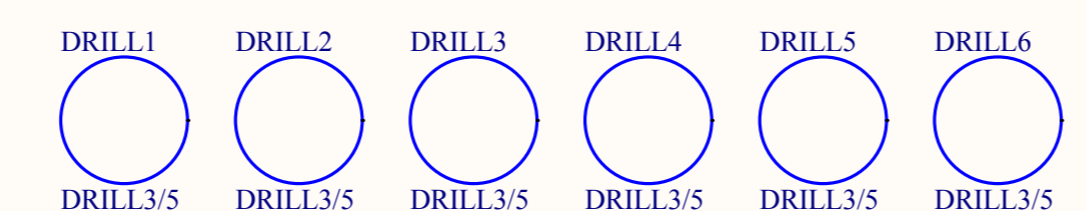
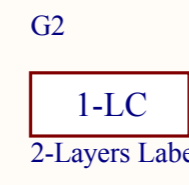
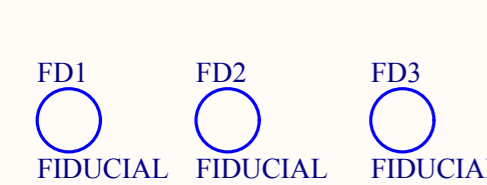
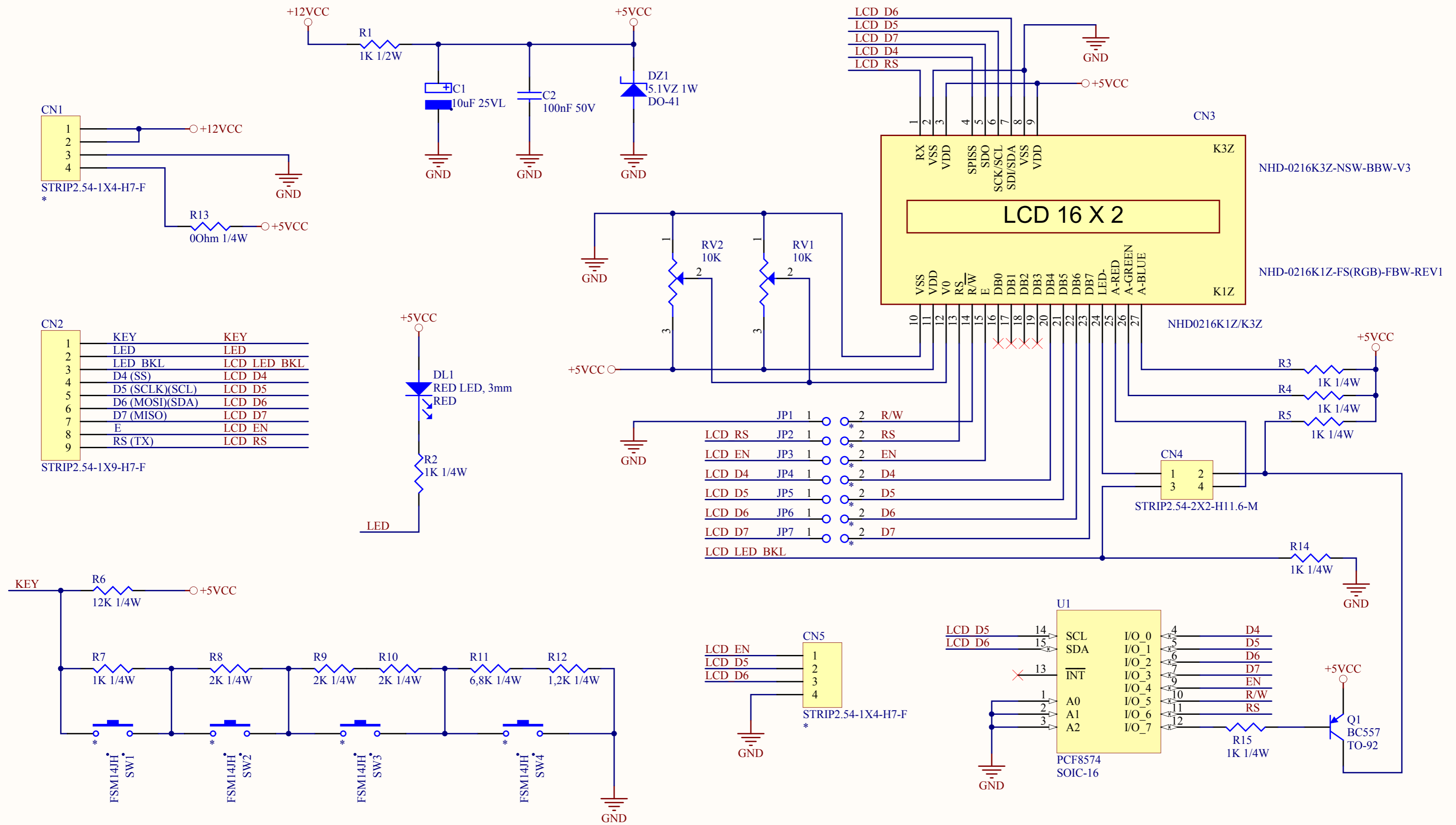
Size  
A4

Date: 14/05/2014

Sheet 1 of 2

Ver.  
1.0

Rev.  
A



# SELETRONICA

Project: UPC_LCD1_V1		Ver. 1.0
Designed by: Seletronica Team	Revised by: Seletronica Team	Rev. A
Document number: 0414 - UPC_LCD1_V1.SchDoc		Size: A4
Date: 14/05/2014	Sheet 2 of 2	